



High Speed Super Low Power SRAM

128k Word x 16 bit

CS16LV21483

Cover Sheet and Revision Status

版別 (Rev.)	DCC No.	生效日 (Eff. Date)	變更說明 (Change Description)	發行人 (Originator)
1.0	-	Jul. 12, 2016	New issue	Hank Lin
2.0	20200019	Dec. 29, 2020	Revise ICC (operating current) 45ns- 20mA, 55ns- 20mA, 70ns- 15mA	Hank Lin



High Speed Super Low Power SRAM

128k Word x 16 bit

CS16LV21483

GENERAL DESCRIPTION	1
FEATURES.....	1
Product Family.....	1
PIN CONFIGURATIONS.....	2
FUNCTIONAL BLOCK DIAGRAM	2
IN DESCRIPTIONS	3
TRUTH TABLE.....	4
ABSOLUTE MAXIMUM RATINGS ⁽¹⁾	4
DC ELECTRICAL CHARACTERISTICS (T _A = 0°C to 70°C, V _{CC} = 3.0V)	5
OPERATING RANGE	5
DATA RETENTION CHARACTERISTICS (T _A = 0°C to + 70°C)	6
CAPACITANCE ⁽¹⁾ (T _A = 25°C, f =1.0 MHz).....	7
AC TEST CONDITIONS	7
KEY TO SWITCHING WAVEFORMS	7
AC TEST LOADS AND WAVEFORMS	7
AC ELECTRICAL CHARACTERISTICS (T _A = 0°C to + 70°C, V _{CC} = 3.0V)	8
SWITCHING WAVEFORMS (READ CYCLE).....	9
AC ELECTRICAL CHARACTERISTICS (T _A = 0°C to + 70°C, V _{CC} = 3.0V).....	10
SWITCHING WAVEFORMS (WRITE CYCLE)	11
ORDER INFORMATION	13
PACKAGE OUTLINE	14



High Speed Super Low Power SRAM

128k Word x 16 bit

CS16LV21483

GENERAL DESCRIPTION

The CS16LV21483 is a high performance, high speed, super low power CMOS Static Random Access Memory organized as 131,072 words by 16 bits and operates from a wide range of 2.7 to 3.6V supply voltage. Advanced CMOS technology and circuit techniques provide both high speed and low power features with a typical CMOS standby current of 2.0uA and maximum access time of 45/55/70ns in 3.0V operation. Easy memory expansion is provided by an active LOW chip enable (/CE) and active LOW output enable (/OE) and three-state output drivers.

The CS16LV21483 has an automatic power down feature, reducing the power consumption significantly when chip is deselected. The CS16LV21483 is available in JEDEC standard 44-pin TSOP 2-400mil, 48-ball TFBGA 6*8mm.

FEATURES

- Low operation voltage : 2.7 ~ 3.6V
- Ultra-low power consumption :
 - operating current: 20mA (Max.) @t_{AA}=45ns
 - standby current : 2uA (Typ.)
- High speed access time: 45/55/70ns
- Automatic power down when chip is deselected.
- Three state outputs and TTL compatible, fully static operation
- Data retention supply voltage as low as 1.5V.

Product Family

Product Family	Operating Temp	V _{CC} . Range	Speed (ns)	Standby (Max)	Package Type
CS16LV21483	0~70°C	2.7~3.6	45/55/70	8 uA (V _{CC} = 3.6V)	44L TSOP2-400mil 48ball TFBGA 6*8mm Dice
	-40~85°C				

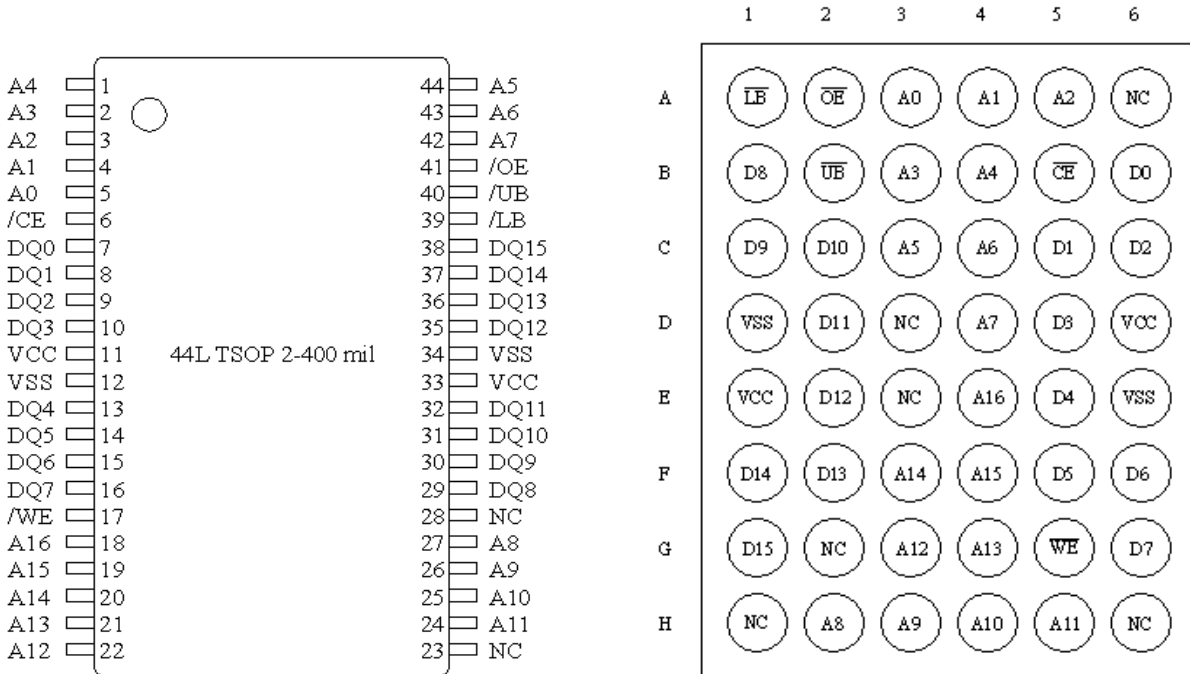


High Speed Super Low Power SRAM

128k Word x 16 bit

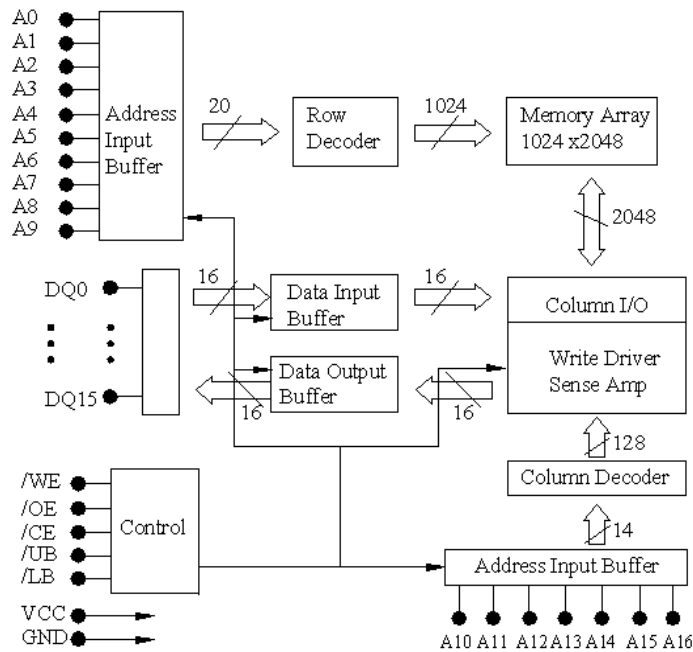
CS16LV21483

PIN CONFIGURATIONS



48 ball TFBGA Top View

FUNCTIONAL BLOCK DIAGRAM





High Speed Super Low Power SRAM

128k Word x 16 bit

CS16LV21483

IN DESCRIPTIONS

Name	Type	Function
A0 – A16	Input	Address inputs for selecting one of the 131,072 x 16 bit words in the RAM
/CE	Input	/CE is active LOW. Chip enable must be active when data read from or write to the device. If chip enable is not active, the device is deselected and in a standby power mode. The DQ pins will be in high impedance state when the device is deselected.
/WE	Input	The Write enable input is active LOW. It controls read and write operations. With the chip selected, when /WE is HIGH and /OE is LOW, output data will be present on the DQ pins, when /WE is LOW, the data present on the DQ pins will be written into the selected memory location.
/OE	Input	The output enable input is active LOW. If the output enable is active while the chip is selected and the write enable is inactive, data will be present on the DQ pins and they will be enabled. The DQ pins will be in the high impedance state when /OE is inactive.
/LB and /UB	Input	Lower byte and upper byte data input/output control pins.
DQ0~DQ15	I/O	These 16 bi-directional ports are used to read data from or write data into the RAM.
V _{CC}	Power	Power Supply
Gnd	Power	Ground



High Speed Super Low Power SRAM

128k Word x 16 bit

CS16LV21483

TRUTH TABLE

MODE	/CE	/WE	/OE	/LB	/UB	DQ0~7	DQ8~15	V _{CC} Current
Standby	X	X	X	H	H	High Z	High Z	I _{CCSB} , I _{CCSB1}
	H	X	X	X	X			
Output Disabled	L	H	H	X	X	High Z	High Z	I _{CC}
Read	L	H	L	L	L	D _{OUT}	D _{OUT}	I _{CC}
				H	L	High Z	D _{OUT}	I _{CC}
				L	H	D _{OUT}	High Z	I _{CC}
Write	L	L	X	L	L	D _{IN}	D _{IN}	I _{CC}
				H	L	X	D _{IN}	I _{CC}
				L	H	D _{IN}	X	I _{CC}

ABSOLUTE MAXIMUM RATINGS ⁽¹⁾

Symbol	Parameter	Rating	Unit
V _{TERM}	Terminal Voltage with Respect to GND	-0.5 to V _{CC} +0.5	V
T _{BIAS}	Temperature Under Bias	-40 to +85	°C
T _{STG}	Storage Temperature	-65 to +150	°C
P _T	Power Dissipation	1.0	W

1. Stresses greater than those listed under ABSOLUTE MAXIMUM RATINGS may cause permanent damage to the device. This is a stress rating only and functional operation of the device at these or any other conditions above those indicated in the operational sections of this specification is not implied. Exposure to absolute maximum rating conditions for extended periods may affect reliability.



High Speed Super Low Power SRAM

128k Word x 16 bit

CS16LV21483

DC ELECTRICAL CHARACTERISTICS (T_A = 0°C to 70°C, V_{CC} = 3.0V)

Parameter Name	Parameter	Test Conduction	MIN	TYP ⁽¹⁾	MAX	Unit	
V _{IL}	Guaranteed Input Low Voltage ⁽³⁾		-0.3	-	0.8	V	
V _{IH}	Guaranteed Input High Voltage ⁽²⁾		2.2	-	V _{CC} +0.3	V	
I _{IL}	Input Leakage Current	V _{CC} =MAX, V _{IN} =0 to V _{CC}	-1	-	1	uA	
I _{OL}	Output Leakage Current	V _{CC} =MAX, /CE=V _{IN} , or /OE=V _{IN} , V _{IO} =0V to V _{CC}	-1	-	1	uA	
V _{OL}	Output Low Voltage	V _{CC} =MAX, I _{OL} = 2mA	-	-	0.4	V	
V _{OH}	Output High Voltage	V _{CC} =MIN, I _{OH} = -1mA	2.4	-	-	V	
I _{CC}	Operating Power Supply Current	/CE=V _{IL} , I _{DQ} =0mA, F=F _{MAX} ⁽³⁾	45ns	-	-	20	mA
			55ns	-	-	20	
			70ns	-	-	15	
I _{CCSB}	Standby Supply - TTL	/CE=V _{IH} , I _{DQ} =0mA,	-	-	0.3	mA	
I _{CCSB1}	Standby Current -CMOS	/CE≥V _{CC} -0.2V, V _{IN} ≥V _{CC} -0.2V or V _{IN} ≤0.2V	-	2	8	uA	

1. Typical characteristics are at T_A=25°C
2. Overshoot : V_{CC} +2.0V in case of pulse width ≤20ns.
3. Undershoot : - 2.0V in case of pulse width ≤20ns.
4. Overshoot and undershoot are sampled, not 100% tested.

OPERATING RANGE

Range	Ambient Temperature	V _{CC}
Commercial	0~70°C	2.7V ~ 3.6V
Industrial	-40~85°C	2.7V ~ 3.6V



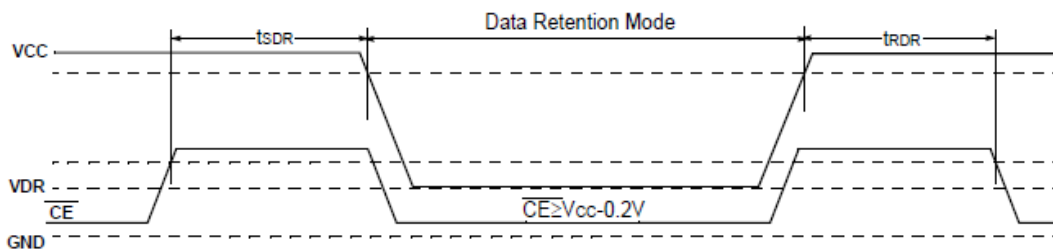
DATA RETENTION CHARACTERISTICS ($T_A = 0^\circ\text{C}$ to $+70^\circ\text{C}$)

Parameter Name	Parameter	Test Conduction	MIN	TYP ⁽¹⁾	MAX	Unit
V _{DR}	V _{CC} for Data Retention	$/\text{CE} \geq V_{\text{CC}} - 0.2\text{V}$, $V_{\text{IN}} \geq V_{\text{CC}} - 0.2\text{V}$ or $V_{\text{IN}} \leq 0.2\text{V}$	1.5	-	-	V
I _{CCDR}	Data Retention Current	$/\text{CE} \geq V_{\text{CC}} - 0.2\text{V}$, $V_{\text{CC}} = 1.5\text{V}$ $V_{\text{IN}} \geq V_{\text{CC}} - 0.2\text{V}$ or $V_{\text{IN}} \leq 0.2\text{V}$	-	2	6	uA
T _{CDR}	Chip Deselect to Data Retention Time	See Retention Waveform	0	-	-	ns
t _R	Operation Recovery Time		t _{RC} ⁽²⁾	-	-	ns

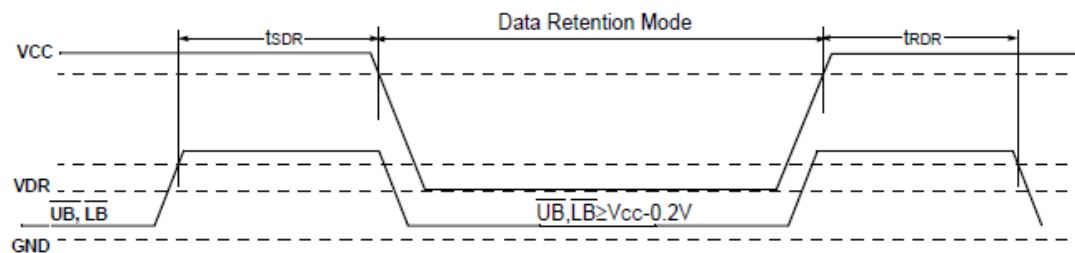
1. $V_{\text{CC}} = 3.0\text{V}$, $T_A = +25^\circ\text{C}$

2. t_{RC}⁽²⁾ = Read Cycle Time.

LOW V_{CC} DATA RETENTION WAVEFORM (1) (/CE Controlled)



LOW V_{CC} DATA RETENTION WAVEFORM (2) (/UB, /LB Controlled)





High Speed Super Low Power SRAM

128k Word x 16 bit

CS16LV21483

CAPACITANCE ⁽¹⁾ (T_A = 25°C, f = 1.0 MHz)

Symbol	Parameter	Conditions	MAX.	Unit
C _{IN}	Input Capacitance	V _{IN} =0V	6	pF
C _{DQ}	Input/output Capacitance	V _{I/O} =0V	8	pF

This parameter is guaranteed and not tested.

AC TEST CONDITIONS

Input Pulse Levels	V _{CC} /0V
Input Rise and Fall Times	3ns
Input and Output Timing Reference Level	0.5V _{CC}
Output Load	See FIGURE 1A and 1B

KEY TO SWITCHING WAVEFORMS

WAVEFORMS	INPUTS	OUTPUTS
	MUST BE STEADY	MUST BE STEADY
	MAY CHANGE FROM H TO L	WILL BE CHANGE FROM H TO L
	MAY CHANGE FROM L TO H	WILL BE CHANGE FROM L TO H
	DON'T CARE ANY CHANGE PERMITTED	CHANGE STATE UNKNOWN
	DOES NOT APPLY	CENTER LINE IS HIGH IMPEDANCE OFF STATE

AC TEST LOADS AND WAVEFORMS

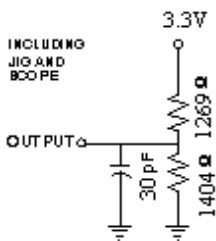


FIGURE 1A

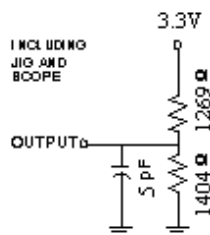


FIGURE 1B

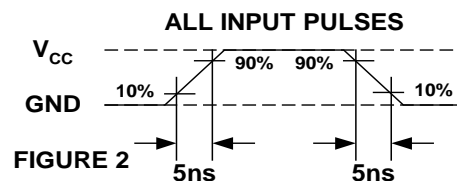


FIGURE 2



High Speed Super Low Power SRAM

128k Word x 16 bit

CS16LV21483

AC ELECTRICAL CHARACTERISTICS (T_A = 0°C to + 70°C, V_{CC} = 3.0V)

< READ CYCLE >

JEDEC Parameter Name	Parameter Name	Description	45ns		55ns		70ns		Unit
			MIN	MAX	MIN	MAX	MIN	MAX	
t _{AVAX}	t _{RC}	Read Cycle Time	45	-	55	-	70	-	ns
t _{AVQV}	t _{AA}	Address Access Time	-	45	-	55	-	70	ns
t _{ELQV}	t _{ACS}	Chip Select Access Time (/CE)	-	45	-	55	-	70	ns
t _{BA}	t _{BA}	Data Byte Control Access Time (/LB, /UB)	-	45	-	55	-	70	ns
t _{GLQV}	t _{OE}	Output Enable to Output Valid	-	22	-	25	-	35	ns
t _{ELQX}	t _{CLZ}	Chip Select to Output Low Z (/CE)	10	-	10	-	10	-	ns
t _{BE}	t _{BE}	Data Byte Control to Output Low Z (/LB, /UB)	0	-	0	-	0	-	ns
t _{GLQX}	t _{OLZ}	Output Enable to Output in Low Z	5	-	5	-	5	-	ns
t _{EHQZ}	t _{CHZ}	Chip Deselect to Output in High Z (/CE)	-	18	0	20	0	25	ns
t _{BDO}	t _{BDO}	Data Byte Control to Output High Z (/LB, /UB)	-	18	0	20	0	25	ns
t _{GHQZ}	t _{OHZ}	Output Disable to Output in High Z	-	18	0	20	0	25	ns
t _{AXOX}	t _{OH}	Out Disable to Address Change	10	-	10	-	10	-	ns

Note: 1.) /WE is high in read Cycle.

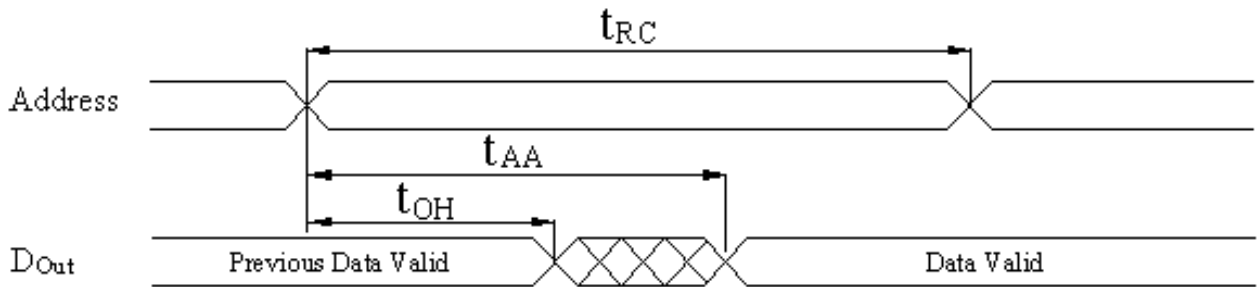
2.) Device is continuously selected when /CE = VIL.

3.) Address valid prior to or coincident with CE transition low. 4.) /OE = VIL. 5.) Transition is measured ±500mV from steady state with CL = 5pF as shown in Figure 1B. The parameter is guaranteed but not 100% tested.

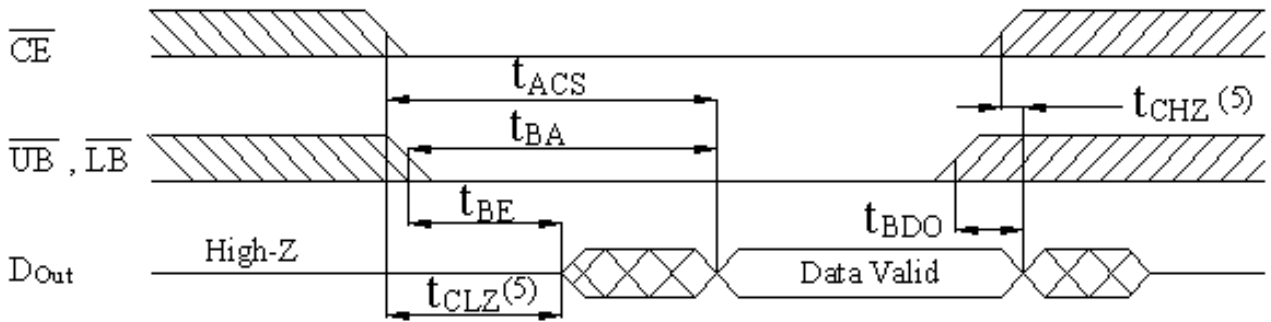


SWITCHING WAVEFORMS (READ CYCLE)

READ CYCLE 1. (1, 2, 4)

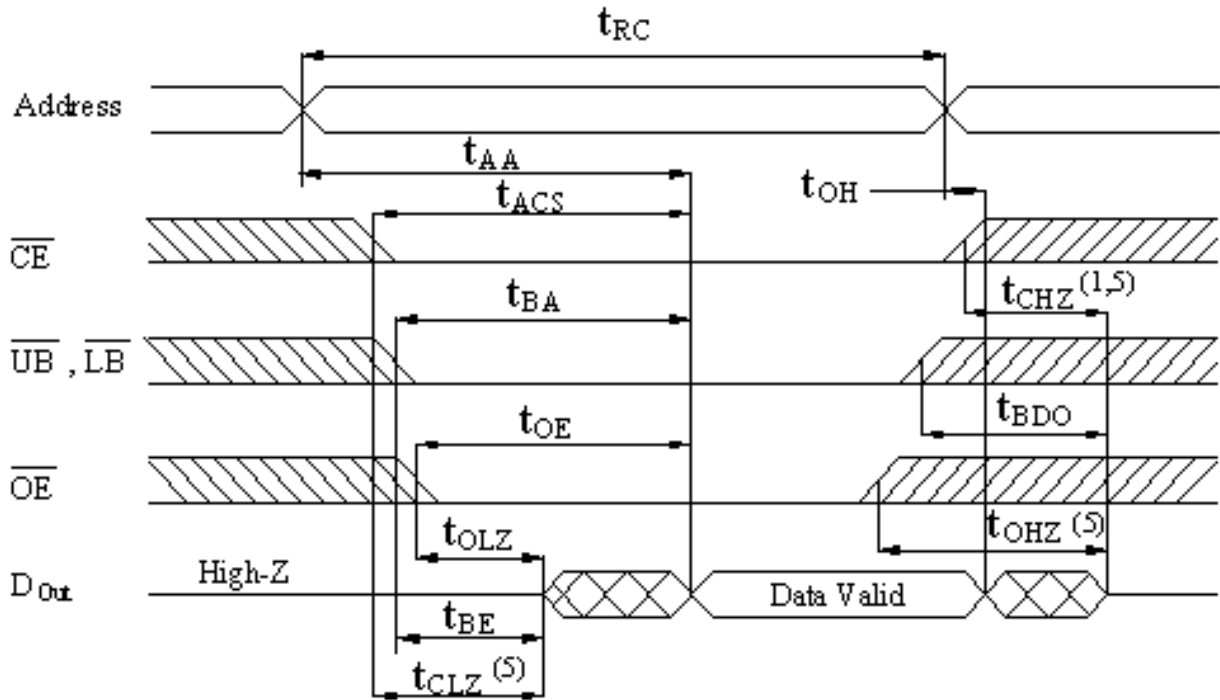


READ CYCLE 2. (1, 3, 4)





READ CYCLE 3. (1, 4)



AC ELECTRICAL CHARACTERISTICS (TA = 0°C to +70°C, VCC = 3.0V)

< WRITE CYCLE >

JEDEC Parameter Name	Parameter Name	Description	45ns		55ns		70ns		Unit
			MIN	MAX	MIN	MAX	MIN	MAX	
tAVAX	tWC	Write Cycle Time	45	-	55	-	70	-	ns
tE1LWH	tCW	Chip Select to End of Write	35	-	45	-	60	-	ns
tAVWL	tAS	Address Setup Time	0	-	0	-	0	-	ns
tAVWH	tAW	Address Valid to End of Write	35	-	45	-	60	-	ns
tWLWH	tWP	Write Pulse Width	35	-	40	-	55	-	ns
tWHAX	tWR	Write Recovery Time (/CE, /WE)	0	-	0	-	0	-	ns



High Speed Super Low Power SRAM

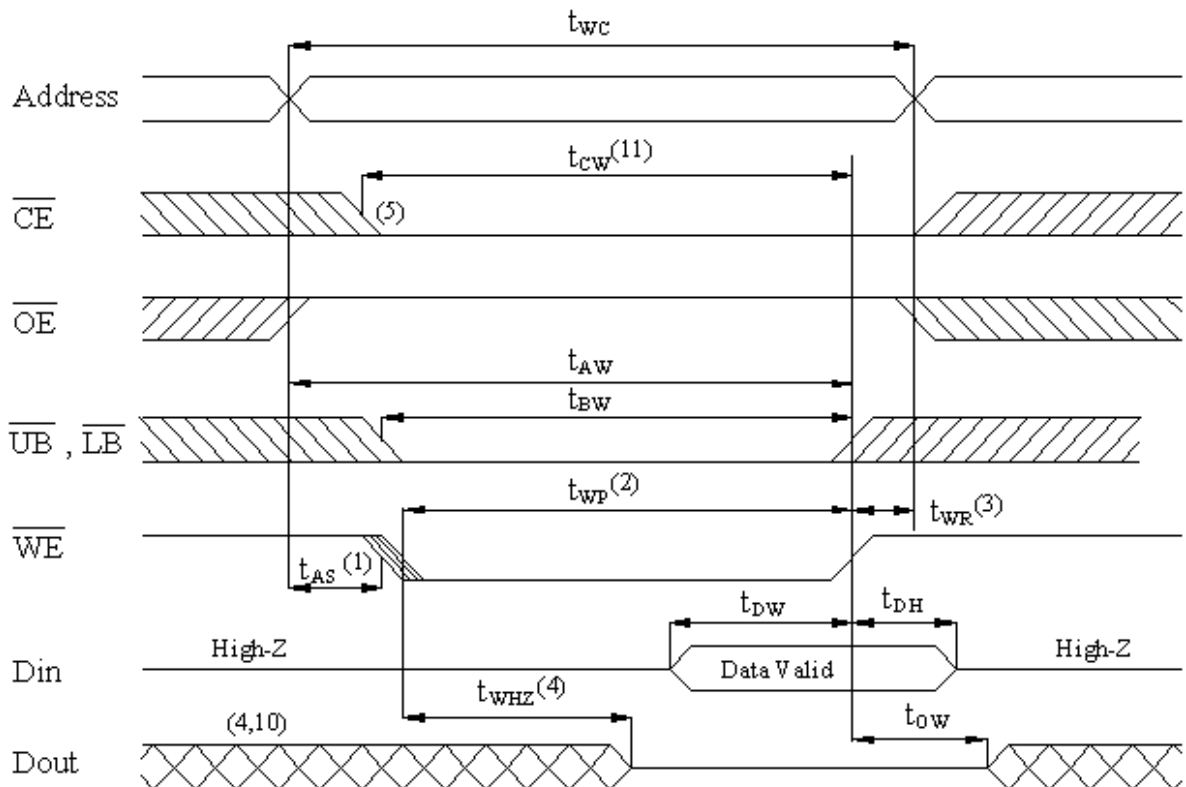
128k Word x 16 bit

CS16LV21483

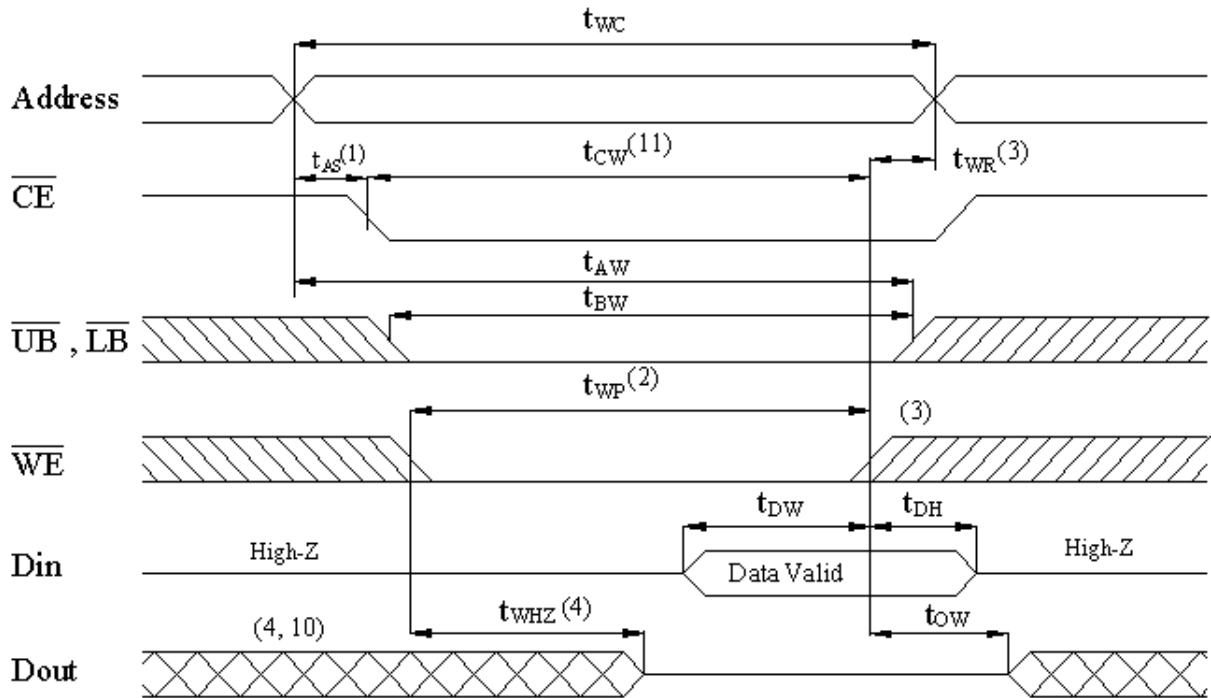
t _{BW}	t _{BW}	Data Byte Control to End of Write (/LB, /UB)	35	-	45	-	60	-	ns
t _{WLQZ}	t _{WHZ}	Write to Output in High Z	-	18	-	20	-	25	ns
t _{DVWH}	t _{DW}	Data to Write Time Overlap	25	-	25	-	30	-	ns
t _{WHDX}	t _{DH}	Data Hold from Write Time	0	-	0	-	0	-	ns
t _{WHOX}	t _{OW}	End of Write to Output Active	5	-	5	-	5	-	ns

SWITCHING WAVEFORMS (WRITE CYCLE)

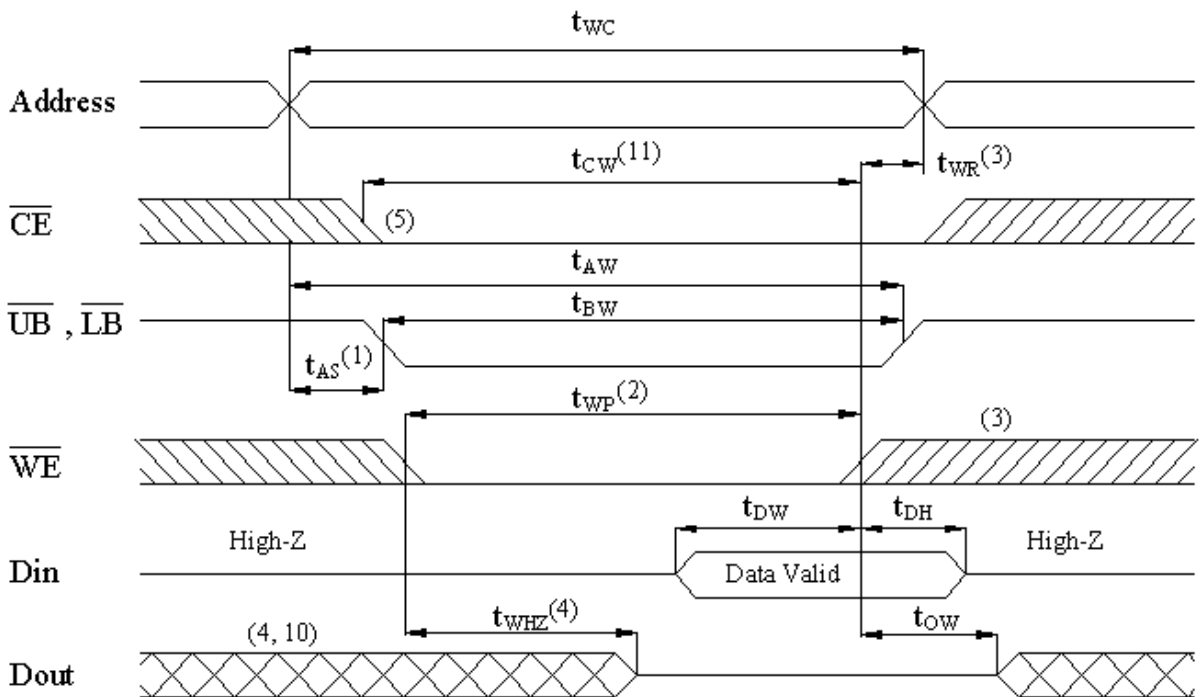
WRITE CYCLE 1. (/WE controlled)



WRITE CYCLE 2. (/CE controlled)



WRITE CYCLE 3. (/UB, /LB controlled)





High Speed Super Low Power SRAM

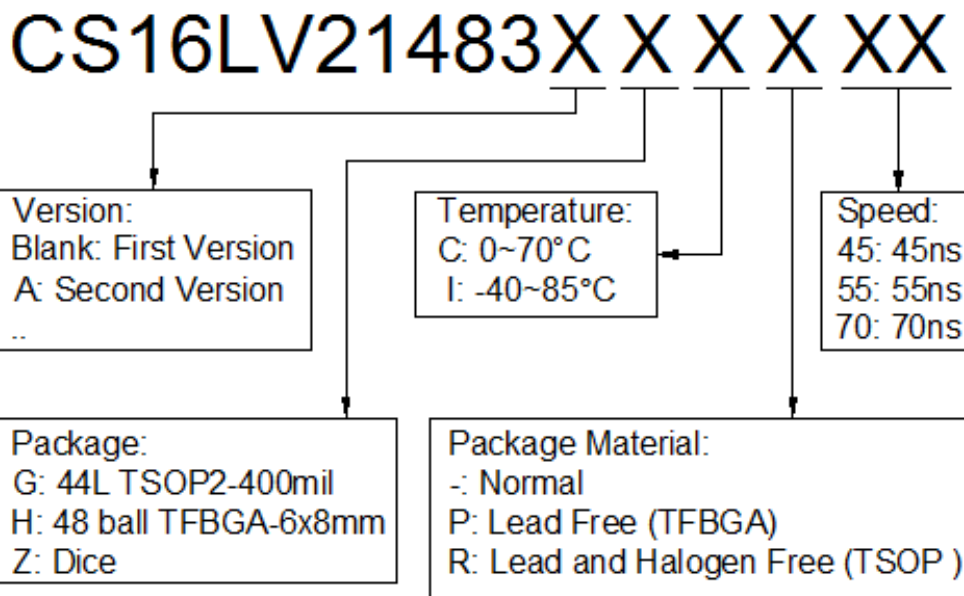
128k Word x 16 bit

CS16LV21483

NOTES:

1. T_{AS} is measured from the address valid to the beginning of write.
2. The internal write time of the memory is defined by the overlap of /CE and /WE low. All signals must be active to initiate a write and any one signal can terminate a write by going inactive. The data input setup and hold timing should be referenced to the second transition edge of the signal that terminates the write.
3. TWR is measured from the earliest of /CE or /WE or (/UB and, or /LB) going high at the end of write cycle.
4. During this period, DQ pins are in the output state so that the input signals of opposite phase to the outputs must not be applied.
5. If the /CE low transition occurs simultaneously with the /WE low transitions or after the /WE transition, output remain in a high impedance state.
6. /OE is continuously low (/OE = V_{IL}).
7. DOUT is the same phase of write data of this write cycle.
8. DOUT is the read data of next address.
9. If /CE is low during this period, DQ pins are in the output state. Then the data input signals of opposite phase to the outputs must not be applied to them.
10. Transition is measured $\pm 500mV$ from steady state with $CL = 5pF$ as shown in Figure 1B. The parameter is guaranteed but not 100% tested.
11. T_{CW} is measured from the later of /CE going low to the end of write.

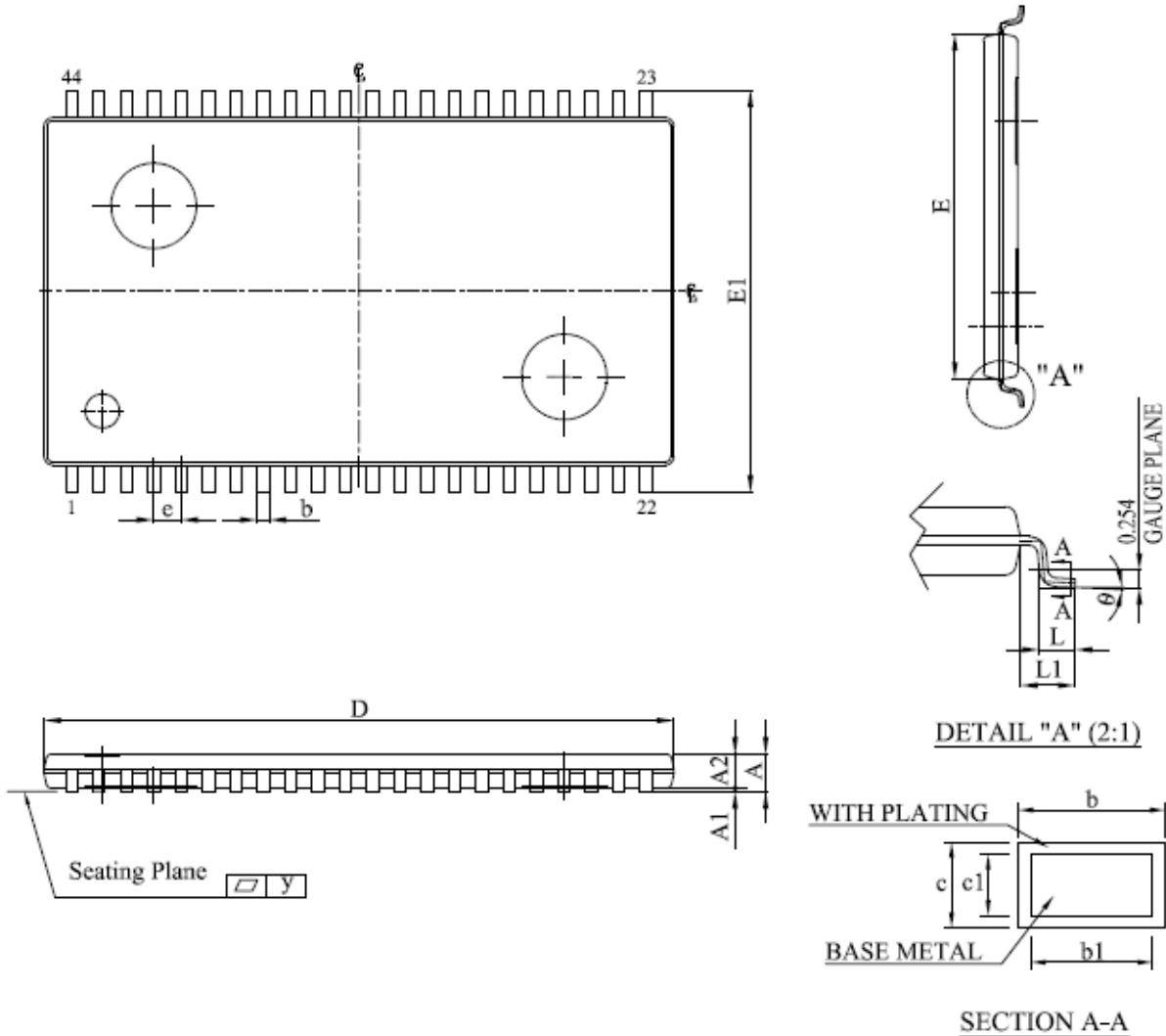
ORDER INFORMATION



Note: Package material code "R" meets ROHS

PACKAGE OUTLINE

44L TSOP2-400mil



Note: Plating thickness spec : 0.3 mil ~ 0.8 mil.

SYMBOL UNIT	A	A1	A2	b	b1	c	c1	D	E	E1	e	L	L1	y	θ	
	mm	Min.	1.00	0.05	0.95	0.30	0.30	0.12	0.12	18.31	10.06	11.56	0.70	0.40	0.70	-
Nom.		1.10	0.10	1.00	-	-	-	-	18.41	10.16	11.76	0.80	0.50	0.80	-	-
Max.		1.20	0.15	1.05	0.45	0.40	0.21	0.16	18.51	10.26	11.96	0.90	0.60	0.90	0.1	8°
inch	Min.	0.0393	0.002	0.037	0.012	0.012	0.005	0.005	0.721	0.396	0.455	0.0275	0.0157	0.0275	-	0°
	Nom.	0.0433	0.004	0.039	-	-	-	-	0.725	0.400	0.463	0.0315	0.0197	0.0315	-	-
	Max.	0.0473	0.006	0.041	0.018	0.016	0.008	0.006	0.729	0.404	0.471	0.0355	0.0237	0.0355	0.004	8°

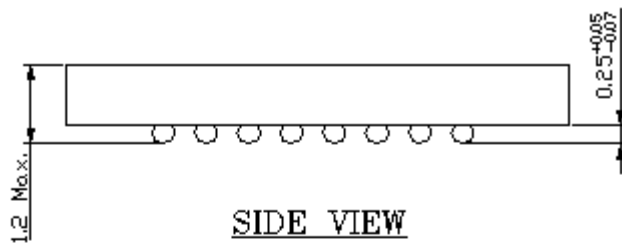


High Speed Super Low Power SRAM

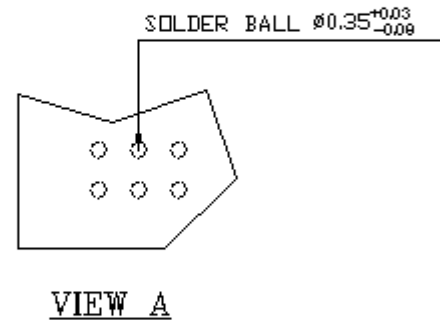
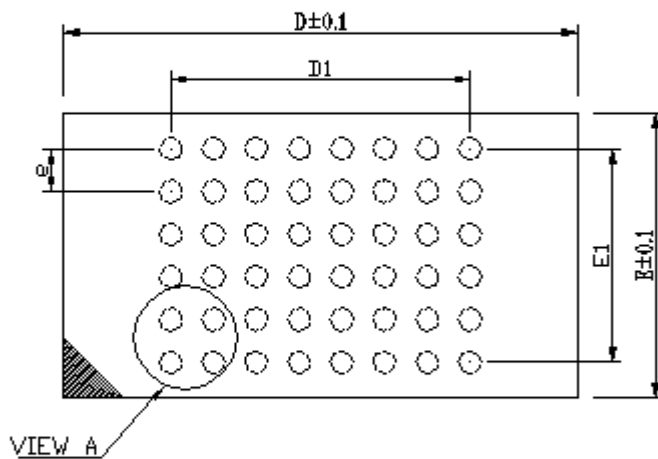
128k Word x 16 bit

CS16LV21483

48 ball TFBGA-6x8mm



BALL PITCH		e = 0.75		
D	E	N	D1	E1
8.0	6.0	48	5.25	3.75



NOTES

1. CONTROLLING DIMENSIONS ARE IN MILLIMETERS.
2. PIN#1 DOT MARKING BY LASER OR PAD PRINT.
3. SYMBOL 'N' IS THE NUMBER OF SOLDER BALLS.