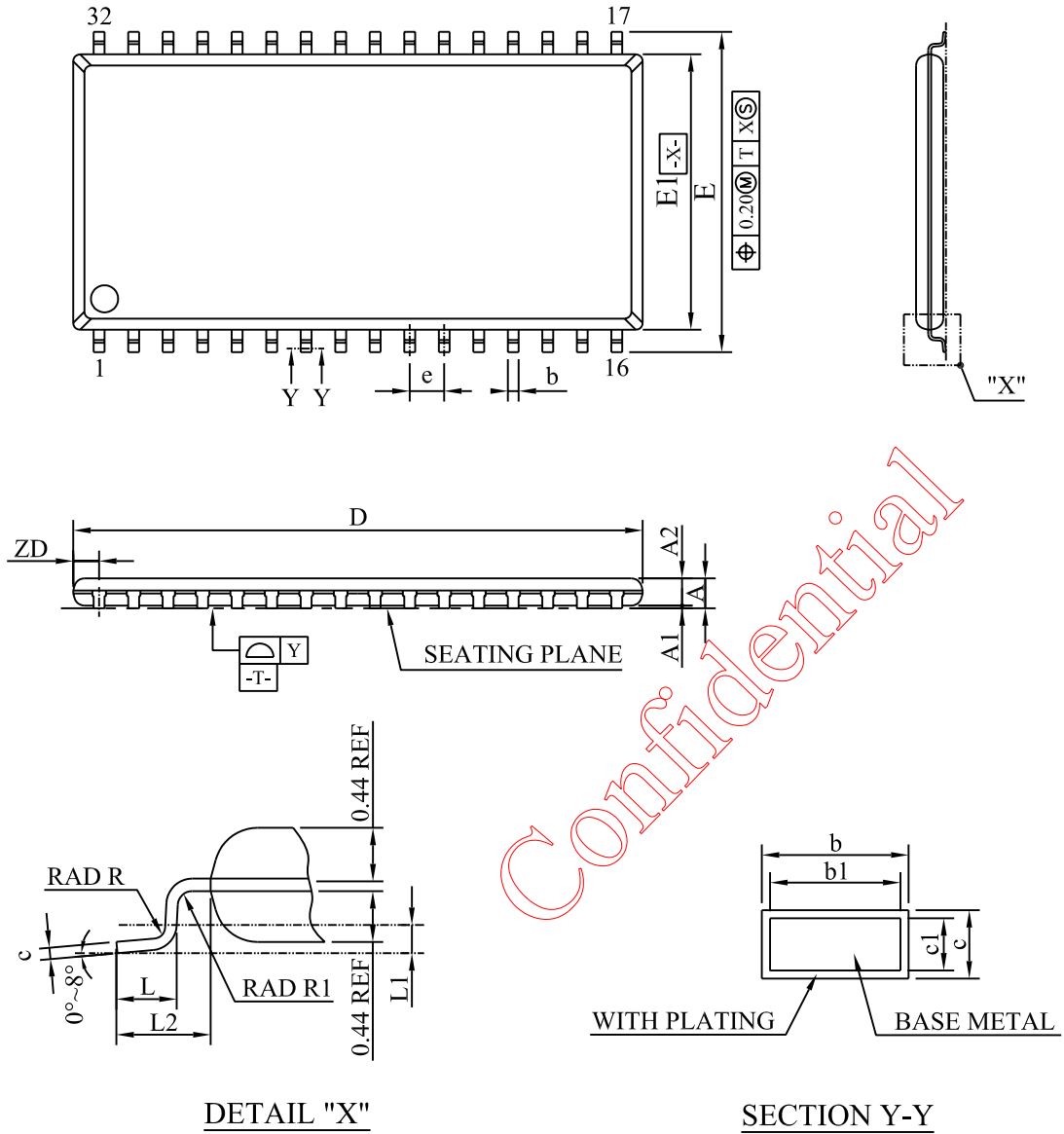




Title: Package outline for 32L TSOP(II)-400mil



Note: Plating thickness spec : 0.3 mil ~ 0.8 mil.

SYMBOL UNIT	A	A1	A2	b	b1	c	c1	D	E	E1	e	L	L1	L2	R	R1	ZD	Y		
	mm	Min. -	0.05	0.95	0.30	0.30	0.12	0.10	20.82	11.56	10.03	1.27 bsc	0.40	0.25 bsc	0.8 ref	0.12	0.12	0.95 ref	-	
Nom.	-	0.10	1.00	-	0.40	-	0.127	20.95	11.76	10.16	0.50		-			-	-		-	-
Max.	1.20	0.15	1.05	0.52	0.45	0.21	0.16	21.08	11.96	10.29	0.60		0.25			-	0.10			
inch	Min. -	0.002	0.037	0.012	0.012	0.005	0.004	0.820	0.455	0.394	0.050 bsc	0.016	0.010 bsc	0.031 ref	0.005	0.005	0.037 ref	-		
Nom.	-	0.004	0.039	-	0.016	-	0.005	0.825	0.463	0.400		0.020			-	-		-	-	
Max.	0.047	0.006	0.042	0.020	0.018	0.008	0.006	0.830	0.471	0.405		0.024			0.010	-		0.004		

DWG. NO.	ORIGINATOR	ISSUE DATE	REV.
PC600-0011	Yuki Yeh	03-Jan.-'08	1